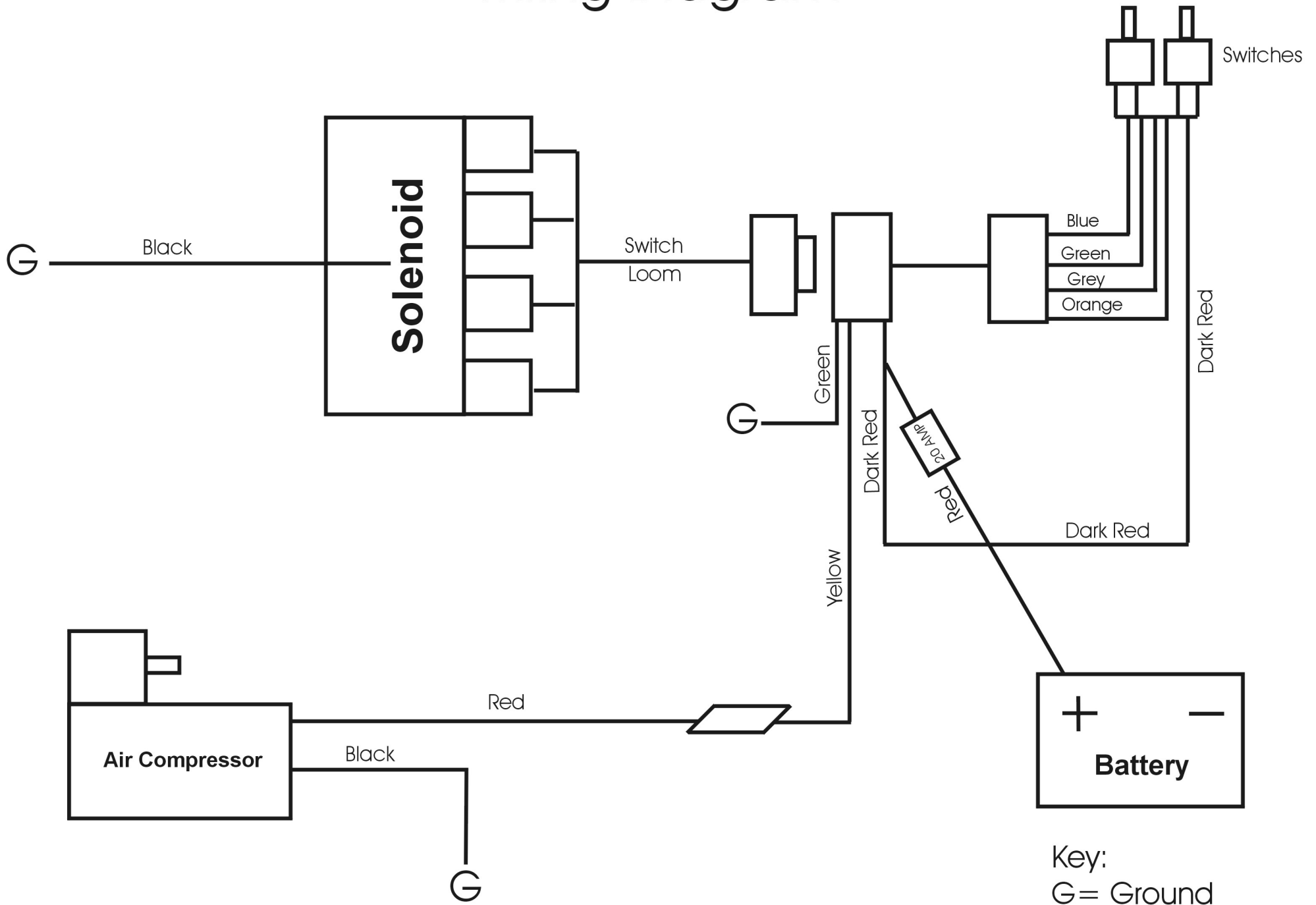


# Wiring Diagram



# Air Line Schematic

## Parts List:

- 1. Instant connect fitting Qty: 8
- 2. Tee fitting Qty: 2
- 3. One way check valve Qty: 1
- 4. 1/4" OD air line 36" long Qty: 1  
(Broken lines)

